

1100nm-1650nm Detector Pigtailed Components

Features

- High response, flat structure of InGaAs PIN detector
- Low capacitance and low dark current
- Operating wavelength of 1100~1650nm
- Single-mode fiber coaxial package



Applications

CATV transmission optical receiver
RF transmission optical receiver
Other Analog receiver/ Power detector

Absolute Maximum Ratings

Parameter	Symbol	Ratings	Unit
Storage Temperature	Tstg	-40~+100	°C
Operating Temperature	Top	-40~+85	°C
Max Input Power	Pmax	+6	dBm
Operating Voltage	Vop	5	V
PD Reverse Voltage	VR(PD)	15	V
Soldering Temp	-	260	°C
Soldering Time	-	10	S

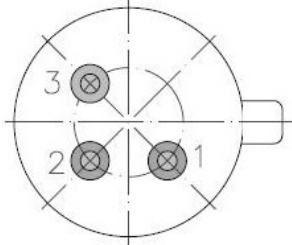
Optical & Electrical Characteristics

Parameter	Symbol	Min.	Typ.	Max.	Unit	Test Condition
Wavelength Range	λ	1100	-	1650	nm	-
Power Range	P	-70	-	+6	dBm	5V
Active Diameter	Ad	25		80	um	-
Dark Current	Id	-	0.2	0.5	nA	5V
Responsivity	R	-	0.85	0.90	A/W	$\lambda=1310$ nm
			0.90	0.95		$\lambda=1550$ nm
Frequency Bandwidth	Bw	1		10000	MHz	
Frequency Response	Fr	-	± 0.5	-	dB	
Capacitance	Ct	-	0.5	0.65	Pf	-
Response Time	Tr	0.1	-		ns	-
CSO	-	-	-70	-	dBc	
CTB	-	-	-80	-	dBc	

PIN Definition

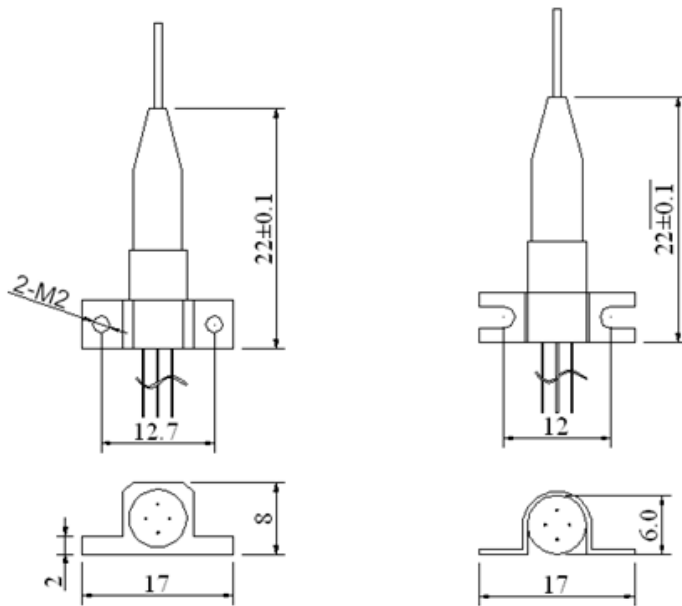


PIN:



Type A:
【1】 PD +
【2】 PD -
【3】 CASE

Draw



Order Information

MPD-XXXXX

M	PD	-X	X	X	X	X
Mode	Product Type	Bandwidth	Connector	Pigtail Length	Fiber Type	Responsivity
		03: 3Gb/s 05: 5Gb/s 08: 8Gb/s 10: 10Gb/s	1: FC/APC 2: FC/PC 3: SC/APC 4: SC/PC 5: LC/PC 6: LC/APC W: Without	05: 0.5M 10: 1.0M 15: 1.5M	S9: 9/125/900um S2: 9/125/250um M5: 50/125/900um M6: 62.5/125/900um	R80: 0.80~0.85(8G,10G) R85: 0.85~0.90(3G,5G) R90: 0.90~0.95(3G)

Additional requirements can be settled through friendly negotiation.

Shengshi Optical Tech. Co.,Ltd reserves the right to make changes to the product or information contained herein without notice.