



1310nm DFB Pigtailed Components(high power)

Features

- Built - in optical isolator
- Low capacitance and low dark current
- High stability of DFB lasers die
- Low threshold current , low operating current
- Integrated high isolation , low insertion loss



Applications

CATV Reverse Transmission/GSM Transmission
Other Analog or Digital Optical Transmission

Optical & Electrical Characteristics

Parameter	Symbol	Min.	Typ.	Max.	Unit	Test Condition
Rated Power	Po	8	10		mW	Ith+40mA
Slope Efficiency	SE		0.25	0.30	mW/mA	
Threshold Current	Ith		10	15	mA	-
Operating Current	Iop		45	50	mA	
Forward Voltage Drop	Vop	-	1.0	1.2	V	CW, Ith+40mA
Cent Wavelength	λ_c	1300	1310	1320	nm	-
Spectrum Width(-3dB)	$\Delta\lambda$	-	0.5	1	nm	Ith+40mA
Side-mode Suppression Ratio	SMSR	35		-	dB	-
Bandwidth	Bw		2.5		GHz	
Monitor Current	Im	100		1200	uA	CW, Ith+40mA
Dark Current of Monitor	Id	-	-	100	nA	5V
Optical Isolation(Single stage)	ISO	35	40	-	dB	
Optical Isolation(Double stage)	ISO	45	50	-	dB	
Return loss	RL			-45	dB	
Analog Characteristic index						
Relative Intensity Noise	RIN	-	-155	-150	dB/Hz	-
RF Bandpass Flatness	BF		± 1.5		dB	
Third-order Distortion	IMD3	-	-55	-	dBc	
Carrier Noise Ratio	CNR	51	-	-	dB	Note 1
Composite Second Order	CSO	-	-	-57	dBc	
Composite Triple Beat	CTB	-	-	-65	dBc	

Note 1: ① If=Iop, Optical Modulation, Index=3.2%/channel (minimum),60 PAL-D unmodulated carries (47 to 550MHz), 10km singlemode fiber, -1dBm received power, Receiver responsivity=0.85A/W.

② If=Iop, Optical Modulation Index=3.2%/channel (minimum), CNR, CSO, CTB tested value at worst case over all test frequencies. NTSC 120ch., 10km singlemode fiber, -1dBm received power, Receiverresponsivity=0.85A/W

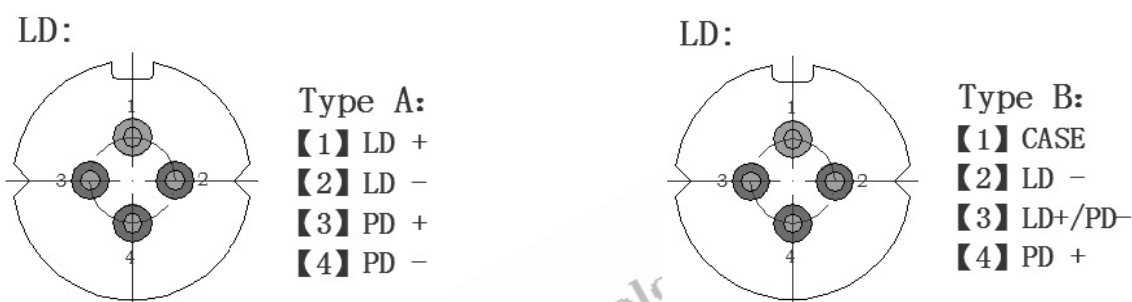
Absolute Maximum Ratings

Address: 5-floor,Block B Creative Building, Shaojia Tsui, Wenzhi St.,Hongshan District,Wuhan, City,Hubei,P.R.China
430074

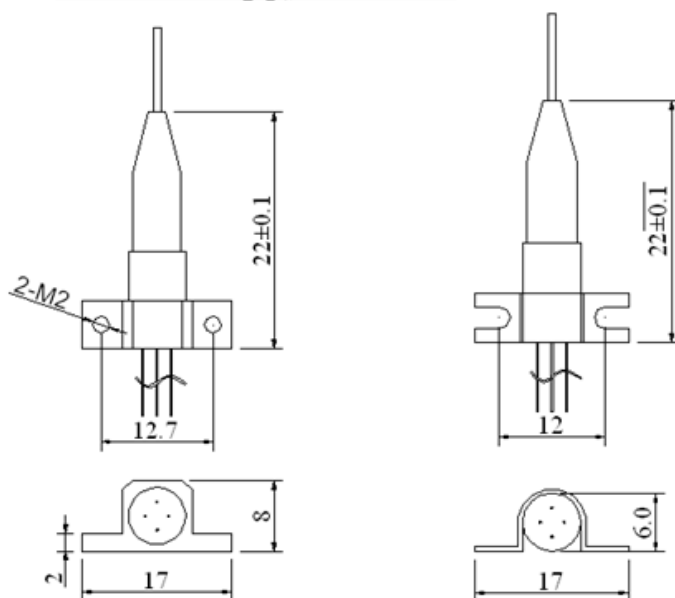


Parameter	Symbol	Min.	Max.	Unit	Test Condition
Storage Temperature	Tstg	-40	100	°C	-
Operating Temperature	Top	-40	85	°C	-
Forward Current(LD)	If(LD)		150	mA	
Reverse Voltage(LD)	Vr(PD)		2	V	
Forward Current(PD)	If(LD)		2	mA	
Reverse Voltage(PD)	Vr(PD)		15	V	
Soldering Temp	-	-	260	°C	-
Soldering Time	-	-	10	S	S

PIN Definition



Drawing



Order Information

MLD-D31X2-XXXX

Address: 5-floor,Block B Creative Building, Shaojia Tsui, Wenzhi St.,Hongshan District,Wuhan, City,Hubei,P.R.China
430074

Tel: 86-027-87172995

Fax: 86-027-87179709

www.laserdiodedevice.com



M	LD	D	31	X	2	-X	X	X	X
Mode	Product Type	Chip	Wavelength	Insulator	Bandwidth	Connector	Pin	Pigtail Length	Power Range
		D: DFB	31: 1310nm	S: Single W: Without	2: 2.5Gb/s	1: FC/APC 2: FC/PC 3: SC/APC 4: SC/PC 5: LC/PC 6: LC/APC	A: 725 B: 720	05: 0.5m 10: 1.0m	P8: >8mW P10: >10mW

Additional requirements can be settled through friendly negotiation.

Shengshi Optical Tech. Co.,Ltd reserves the right to make changes to the product or information contained herein without notice.